

A90/A93/A96, Reed Switch, Direct Mounting, Grommet, In-line D-A93Z

Data Sheet

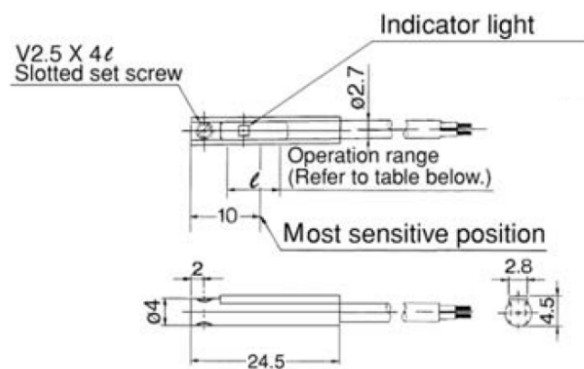
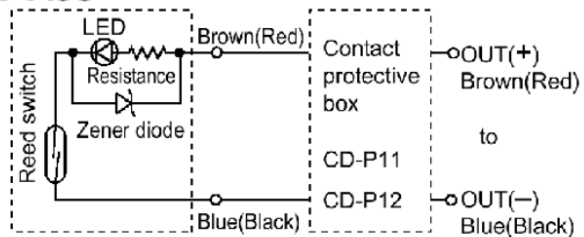
SMC offers a variety of auto switches for actuators and air grippers.; Reed switches are available in a general purpose type or with 2-color indication, which allows the optimum operating position to be determined by the color of the light. Magnetic field resistant, heat resistant and wide range detection configurations.; Various lead wire lengths are available.

Standard Specifications

Model	DC Volt <24, AC Volt <100, LED
Lead Wire Length	5 m
Conform to the European RoHS Directive	Conform
Approvals	CE
Electrical entry direction	In-line
Applicable load	Relay, PLC
Internal resistance	1
Load voltage	24 VDC (40 mA), 100 VAC (20 mA)
Load current	40 mA (24 VDC), 20 mA (100 VAC)
Internal voltage drop	2.4 V (up to 20 mA), 3 V (up to 40 mA)
Weight	0.011 kg

Dimensions

D-A93



Additional information

Catalogue	D_EU.pdf
Declaration of Conformity - Before April 2016 - manufacturing batch codes UQ backwards	DoC_DxZZ-TF0001M-B.pdf
Installation Manuals	IMM_D-A9x_TFP24EN.pdf

Related Products



CP96S(D), ISO 15552 Cylinder, Double Acting, Single/Double Rod with Air cushion on both ends and Bumper cushion



C96S(D), ISO 15552 Cylinder, Double Acting, Single/Double Rod with Air cushion on both ends and Bumper cushion



C(D)Q2, Compact Cylinder, Double Acting, Single Rod w/Auto Switch Mounting Groove



C(D)55, Compact Cylinder ISO Standard (ISO 21287)



MGP-Z, Compact Guide Cylinder



MXH-Z, Compact Slide Table, Linear Guide



MHT2-Z, Air Gripper, Toggle Style



RS(D)Q, Stopper Cylinder, Fixed Mounting Height



C(D)RA1-Z*30-100, Rotary Actuator, Rack & Pinion, Standard